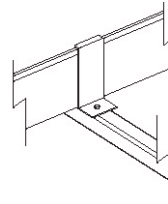


ACCESSORIES

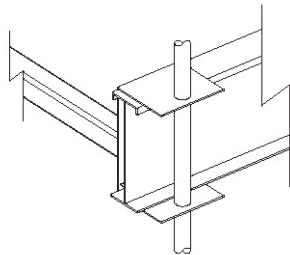
HANGER CLAMPS

- Provide quick, economical tray support.
- Pre-punched to accommodate 3/8" or 1/2" all-thread rod.
- Ladder hangers are available in single or double ladder types.
- Both types sized according to siderail height.
- Hardware must be ordered separately.

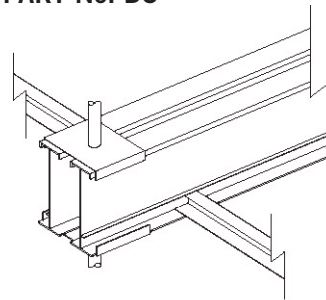
BARRIER STRIP CLAMP (Optional) Part No. BC



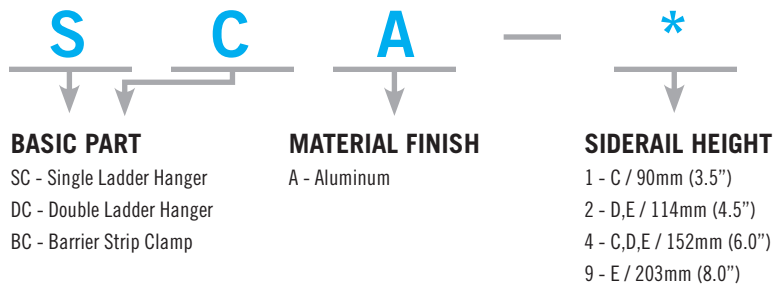
SINGLE LADDER HANGER PART No. SC



DOUBLE LADDER HANGER PART No. DC

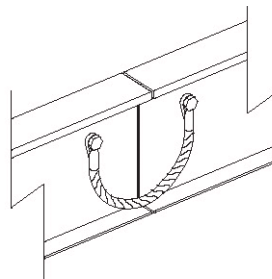


To complete catalogue number insert the appropriate prefixes (1) in place of asterisks.



BONDING JUMPER PART No. BJC

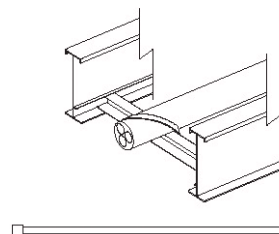
- Bonding jumpers ensure that a continuous ground path is provided by tray system.
- Used in pairs at mechanically discontinuous ladder tray locations such as horizontal or vertical adjustable splice or expansion **splice locations**.



CATALOGUE #	DESCRIPTION	LENGTH	CURRENT CARRYING CAPACITY
BJC-4C	Braided Bonding Jumper	15½"	1600A as equipment ground
BJC-6C	Braided Bonding Jumper	24"	1600A as equipment ground

PLASTIC TIE WRAP PART No. PTW

- Nylon ties provide easy attachment of cable to ladder rungs
- Maximum cable O.D. 76.2mm (3")
- Overall length 380mm (15")

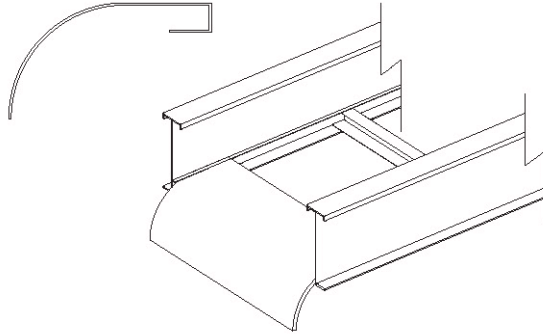


ACCESSORIES

LADDER DROP-OUT

Part No. DO

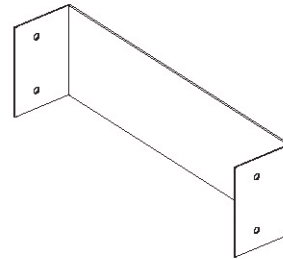
- Specially designed ladder drop-outs provide a rounded surface with adequate radius to protect cable as it exits from the tray, preventing damage to insulation.
- Attaches to any desired rung.
- 100mm (4") radius curves.



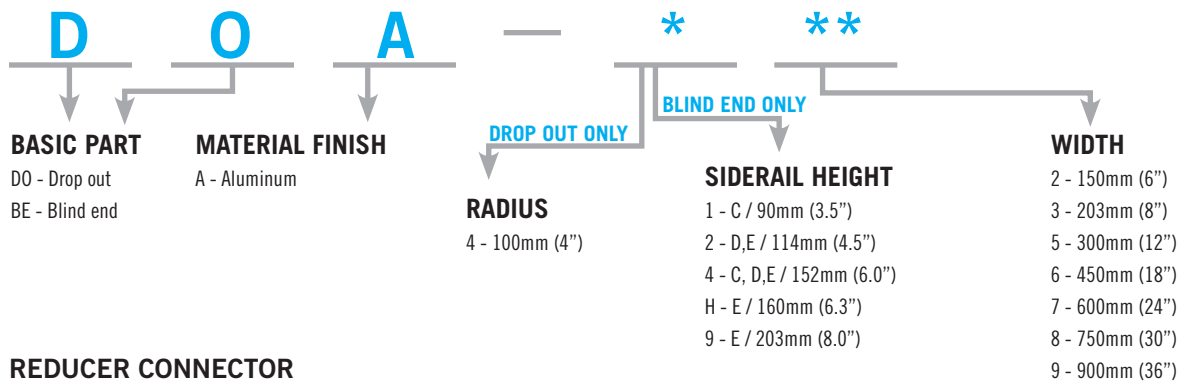
BLIND END CONNECTOR

Part No. BE

- This plate forms a closure for any tray that dead ends.
- Furnished as a single unit with necessary hardware.



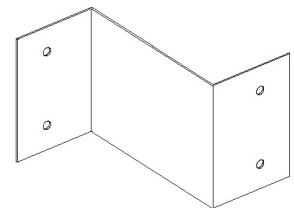
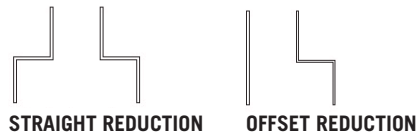
To complete catalogue number insert the appropriate prefixes (2) in place of asterisks.



REDUCER CONNECTOR

PART No. RC

- Used for joining ladder trays having different widths.
- Used in pairs forms a straight reduction.
- Used with standard splice plate forms an offset reduction.
- May be used in place of reducer fittings to save cost and space.
- No other connector plates are required.



FURNISHED AS ONE PLATE WITH HARDWARE

To complete catalogue number insert the appropriate prefixes (2) in place of asterisks.



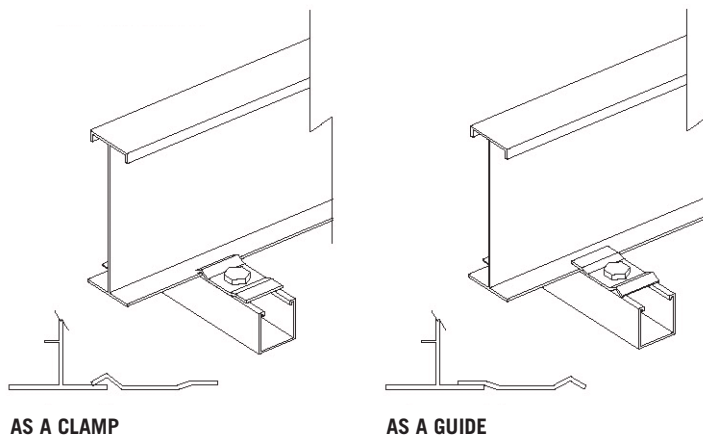
ACCESSORIES - CLAMPS AND SUPPORTS

HOLD DOWN CLAMP / EXPANSION GUIDE

Part No. CGA

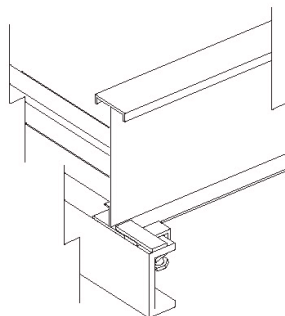
- Sold Separately.
- Dual purpose.
- Hardware sold separately.

Part No.	Siderail Height
CGA-1	C / 90mm (3.5")
	D, E / 114mm (4.5")
	C, D, E / 152mm (6.0")
CGA-9	E / 160mm (6.3")
	E / 203mm (8.0")



TRAY BEAM HOLD DOWN CLAMP PART No. EC

- Hold down clamps for single or double ladder tray runs.
- No drilling of the support I-beam or channel is required.
- Clamps are sold separately. Two clamps per tray required.
- Universal clamp for either side of ladder.

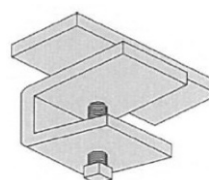
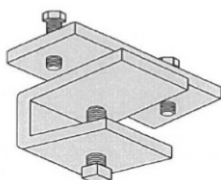


TRAY BEAM EXPANSION GUIDE PART No. EG

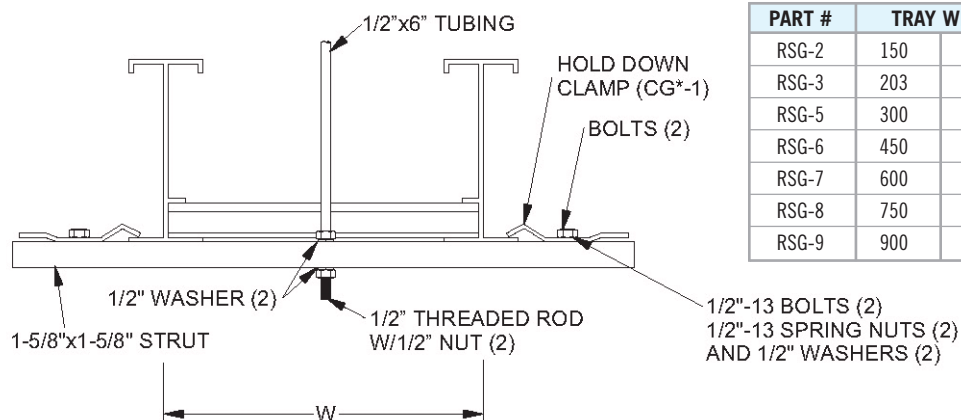
- Universal guide for either side of ladder. No drilling of the support I-beam or channel is required.
- Guides are required on both sides of ladder tray to prevent lateral movement.
- Guides can be placed on inside or outside of tray. Guides are sold separately. Two guides required per tray.

PART #	FLANGE THICKNESS	MATERIAL FINISH
ECZ-985	up to 3/4"	Zinc Plated
ECH-985	up to 3/4"	HDGAF
ECZ-986	7/8" to 2"	Zinc Plated
ECH-986	7/8" to 2"	HDGAF

PART #	FLANGE THICKNESS	MATERIAL FINISH
EGZ-985	up to 3/4"	Zinc Plated
EGH-985	up to 3/4"	HDGAF
EGZ-986	7/8" to 2"	Zinc Plated
EGH-986	7/8" to 2"	HDGAF



SINGLE ROD HANGER (For Ladder Tray) PART No. RS



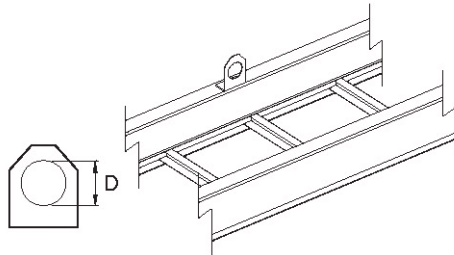
PART #	TRAY WIDTH	STRUT WIDTH
RSG-2	150 (6")	356 (14")
RSG-3	203 (8")	405 (16")
RSG-5	300 (12")	510 (20")
RSG-6	450 (18")	660 (26")
RSG-7	600 (24")	815 (32")
RSG-8	750 (30")	960 (38")
RSG-9	900 (36")	1120 (44")

ACCESSORIES - CONDUIT ADAPTORS AND CLAMPS

CONDUIT TO TRAY ADAPTER

Part No. CT

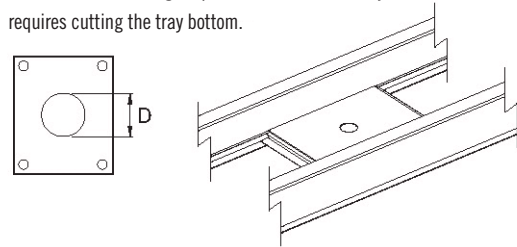
- Comes with (3) 3/4"x1/2" hex head bolts.



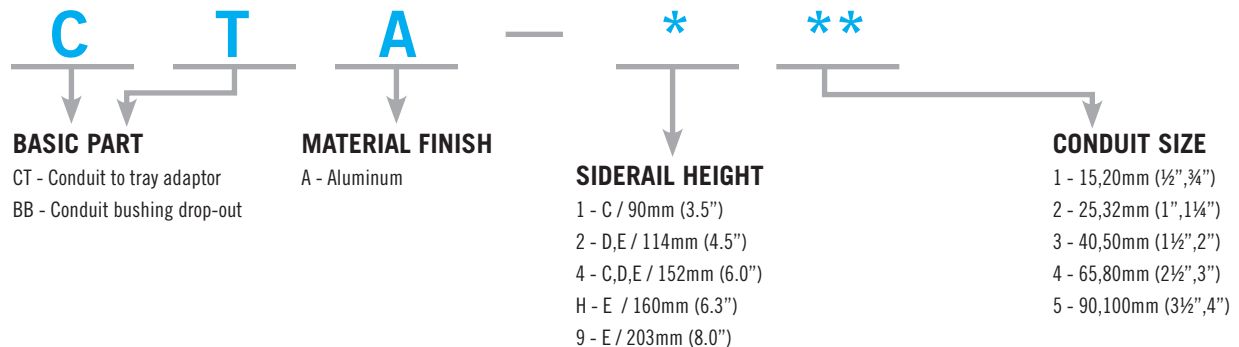
CONDUIT BUSHING DROP-OUT

Part No. BB

- Comes with (4) #10x1/2" self-tapping screws.
 - For attachment of conduit that terminates at a ladder tray.
 - Installation of bushing drop-out on a ventilated tray requires cutting the tray bottom.



To complete catalogue number insert the appropriate prefixes (2) in place of asterisks.



ONE PIECE CABLE AND CONDUIT CLAMP

PART No. UT

- Unitray cable clamps are available for 9.5mm (3/8") through 121mm (4-3/4") diameter cable.
 - The clamps are designed for all ladder tray rungs.
 - On horizontal runs we recommend that clamps be spaced approximately 1.2m (48") apart. On vertical runs and bends, clamps may be required every 457mm (18") on center.

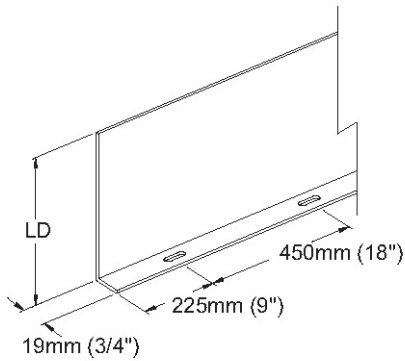
CATALOGUE NUMBER	CABLE O.D.		A		B	
	mm	(in)	mm	(in)	mm	(in)
UT025	9.5	(3/8)	11.1	(7/16)	41.3	(1-5/8)
UT026	12.7	(1/2)	14.3	(9/16)	44.5	(1-3/4)
UT028	19.1	(3/4)	20.6	(13/16)	50.8	(2)
UT030	25.4	(1)	27.0	(1-1/16)	57.2	(2-1/4)
UT032	31.8	(1-1/4)	33.3	(1-5/16)	63.5	(2-1/2)
UT034	38.1	(1-1/2)	39.7	(1-9/16)	69.9	(2-3/4)
UT036	44.5	(1-3/4)	46.0	(1-13/16)	76.2	(3)
UT038	50.8	(2)	52.4	(2-1/16)	82.6	(3-1/4)
UT041	60.3	(2-3/8)	61.9	(2-7/16)	92.1	(3-5/8)
UT044	69.9	(2-3/4)	71.4	(2-13/16)	101.6	(4)
UT048	82.6	(3-1/4)	84.1	(3-5/16)	114.3	(4-1/2)
UT052	95.3	(3-3/4)	96.8	(3-13/16)	127.0	(5)
UT054	101.6	(4)	103.2	(4-1/16)	133.4	(5-1/4)
UT057	111.1	(4-3/8)	112.7	(4-7/16)	142.9	(5-5/8)
UT060	120.7	(4-3/4)	122.2	(4-13/16)	152.4	(6)

ACCESSORIES - BARRIERS

BARRIER STRIP STRAIGHT SECTION

Part No. SBA

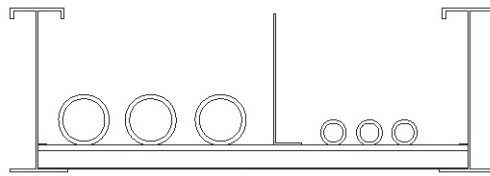
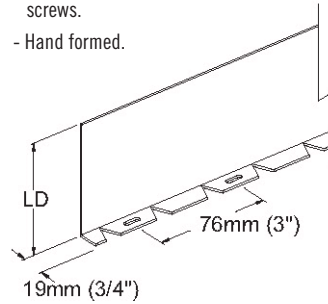
- Standard length: 3000mm (118.1")
- Furnished with the following:
(10) - #10x1/2" plated self-drilling screws.



BARRIER STRIP HORIZONTAL FITTING

Part No. FBA

- Horizontal bend barriers are flexible in order to conform to any horizontal fitting radius.
- Standard length: 3000mm (118.1").
- Furnished with the following: (10) - #10x1/2" plated self-drilling screws.
- Hand formed.



SB(*)-(**)

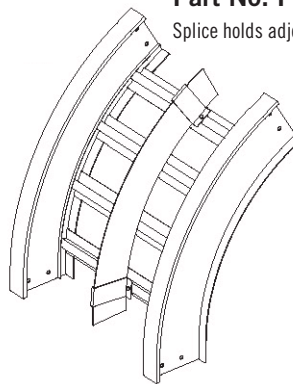
BARRIER STRIP VERTICAL ELBOW INSIDE AND OUTSIDE

Part No. OB Vertical outside elbow

Part No. IB Vertical inside elbow

Part No. BC Barrier strip clamp assembly (mill galvanized and aluminum only)

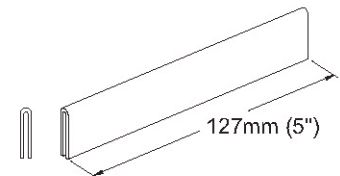
- Vertical outside elbow shown.
- Pre-formed to conform to a specific vertical fitting.
- Furnished with the following sufficient clamp assembly for installation
(3) - #10x1/2" plated self-drilling screws.
- Additional clamp assemblies may be ordered separately.



BARRIER STRIP SPLICE

Part No. PSS

Splice holds adjoining barrier strips in straight alignment.



To complete catalogue number insert the appropriate prefixes (3) in place of asterisks.

O	B	A	—	*	**	***
↓	↓	↓		↓	↓	↓
BASIC PART	MATERIAL FINISH			SIDERAIL HEIGHT	ANGLE	RADIUS
OB - Outside Barrier	A - Aluminum			1 - C / 90mm (3.5")	9 - 90°	3 - 305mm (12")
IB - Inside Barrier				2 - D,E / 114mm (4.5")	6 - 60°	6 - 610mm (24")
SB - Straight Barrier				4 - C,D,E / 152mm (6.0")	4 - 45°	9 - 915mm (36")
FB - Horizontal Barrier				H - E / 160mm (6.3")	3 - 30°	
				9 - E / 203mm (8.0")		

ACCESSORIES - VERTICAL BRACKET

VERTICAL BRACKET

Part No. VBA

Finish: Aluminum

- Sold in pairs.
- Can be bolted at any splice connection of straight tray or fittings directly onto connectors.
- Can be bolted at any place along tray run by field drilling two (2) 3/8" holes.
- Will accept 3/8" and 1/2" all-thread rod.

PART NO.	SIDERAIL HEIGHT (S/R)
VBA - 1	90mm (3.5")
VBA - 2	102mm (4.0")
VBA - 8	152mm (6.0")
VBA - H	160mm (6.3")
VBA - 9	203mm (8.0")

